

# Application of tyres

Tyre application chart

Motocross competition								
Tread pattern	position	extra soft (mud)	soft	medium soft	intermediate	medium hard	hard	extra hard
C-12	rear		■	■	■	■		
C-15	front		■	■	■			
C-18	rear			■	■	■	■	
C-19	front		■	■	■	■	■	
C-20	rear				■	■	■	■
C-21	front				■	■	■	■
C-23	front				■	■	■	■
C-24	rear	■	■	■				
C-25	front	■	■	■				
C-26	rear					■	■	■
C-27	front						■	■
C-28 (SX-10)	rear			■	■	■	■	
C-29 (SX-10)	front				■	■	■	
C-30 (SX-20)	rear		■	■	■	■	■	
C-31 (SX-20)	front		■	■	■	■	■	

Tread pattern	position	soft	medium soft	intermediate	medium hard	hard
Cross sport extreme						
XT-754	rear	■	■	■	■	
XT-914	front	■	■	■	■	
XT-946	rear		■	■	■	■
XT-994	front			■	■	■
XT-454	rear				■	■
XT-434	front				■	■

Motocross								
C-01	rear		■	■	■	■	■	
C-02	rear				■	■	■	■
C-04	rear		■	■	■	■	■	
C-10	rear		■	■	■	■	■	
C-11	front			■	■	■	■	
C-28	rear				■	■	■	■
C-29	front				■	■	■	■
C-30	rear		■	■	■	■	■	
C-31	front		■	■	■	■	■	
SX30	rear			■	■	■	■	
SX30	front			■	■	■	■	

Tread pattern	position	soft	medium soft	intermediate	medium hard	hard
---------------	----------	------	-------------	--------------	-------------	------

Enduro FIM competition						
EF-05 SUPER	rear					
EF-06 SUPER	front					
EF-07 SUPER	rear					
EF-08 SUPER	front					
C-19 SUPER	front					

Enduro extreme competition						
EF-07 SUPER LIGHT	rear					
C-18 SUPER LIGHT	rear					
C-19 SUPER LIGHT	front					

Enduro trail																				
	ROAD										OFF ROAD									
	100	90	80	70	60	50	40	30	20	10	10	20	30	40	50	60	70	80	90	100
MC 30																				
E 08																				
MC 24																				
E 07																				
MC 23																				
E 10																				
E 09																				

Country cross																				
C-10 Country cross	rear																			
C-15 Country cross	front																			
C-18 Country Cross	rear																			
C-20 Country Cross	rear																			

## Legend

	SX 30 soft rotation
	SX 30 hard rotation
	The best range of using
	Acceptable range of using

Recommended use of tyres is based on the experience of the tyre manufacturer for the best performance under given conditions. Recommendation is for information only as the optimal combination may vary depending on the actual conditions of use, type of motorcycle, level of knowledge and experience of rider, current weather conditions and other factors.

# Technical information

Inch	Order code	Tyre size	LL/SS	Tread pattern	Type (TT/TL)	F/R	Version	Strip colour	Rim (inch)	Tyre dimensions E.T.R.T.O. (mm)				Max. inflation (BAR)	Max speed (km/h)
										Design		Max. in service			
										Section width	Overall diameter	Overall width	Overall diameter		
<b>MOTORCYCLE ON-ROAD</b>															
<b>MOTORCYCLE RADIAL TYRES</b>															
<b>SPORT FORCE+</b>															
17	566456	110/70ZR17	(54W)	SPORT FORCE+	TL	[F]			3	110	586	118	596	2.9	280
17	566457	120/60ZR17	(55W)	SPORT FORCE+	TL	[F]			3.5	122	576	131	586	2.9	280
17	574013	120/65ZR17	(56W)	SPORT-FORCE+	TL	[F]			3.5	122	588	131	598	2.9	280
17	575472	120/70ZR17	(58W)	SPORT FORCE+	TL	[F]			3.5	122	600	131	612	2.9	280
17	575474	150/60ZR17	(66W)	SPORT FORCE+	TL	[R]			4.25	151	612	162	624	2.9	280
17	575483	160/60ZR17	(69W)	SPORT FORCE+	TL	[R]			4.50	161	624	172	638	2.9	280
17	575493	180/55ZR17	(73W)	SPORT FORCE+	TL	[R]			5.5	178	630	190	644	2.9	300
17	575494	190/50ZR17	(73W)	SPORT FORCE+	TL	[R]			6	190	622	203	636	2.9	300
17	567762	190/55ZR17	(75W)	SPORT FORCE+	TL	[R]			6	190	642	203	656	2.9	300
<b>INVADER</b>															
19	567770	110/80R19	59V	INVADER	TL	[F]	in development		2.5	109	659	117	671	2.9	240
19	567775	120/70R19	60V	INVADER	TL	[F]	in development		3.5	122	651	131	663	2.9	240
17	567774	140/80R17	69V	INVADER	TL	[R]	in development		3.5	142	656	152	672	2.9	240
17	567772	150/70R17	69V	INVADER	TL	[R]	in development		4.25	151	642	162	656	2.9	240
17	567778	170/60R17	72V	INVADER	TL	[R]	in development		4.5	168	636	180	650	2.9	240
<b>MOTORCYCLE SPORT TYRES</b>															
<b>MC 50 M-RACER</b>															
17	574238	80/100-17	46S	MC 50	TL		in development		1.85	80	592	88	604	2.3	180
17	545619	100/80-17	52H	MC 50	TL				2.5	101	592	111	604	2.3	210
17	574240	100/90-17	55S	MC 50	TL		in development		2.5	101	612	111	634	2.3	180
17	554549	110/70-17	54H	MC 50	TL	[F]			3	110	586	121	596	2.3	210
17	554550	110/80-17	57H	MC 50	TL	[F]			2.5	109	608	120	620	2.3	210
17	545694	130/70-17	62H	MC 50	TL				3.5	129	614	142	626	2.3	210
17	574242	130/80-17	65H	MC 50	TL	[R]	in development		3	129	640	142	654	2.3	210
17	554548	140/70-17	66H	MC 50	TL	[R]			3.75	139	628	153	642	2.3	210
17	564628	140/80-17	69H	MC 50	TL	[R]			3.5	142	656	156	672	2.3	210
18	564697	100/90-18	56H	MC 50	TL	[F]			2.5	101	637	111	649	2.3	210
18	564645	120/90-18	65H	MC 50	TL	[R]			2.75	119	673	131	689	2.3	210
19	564663	100/90-19	57H	MC 50	TL	[F]			2.5	101	663	111	675	2.3	210
<b>MC 25 BOGART</b>															
17	535171	80/90-17	44R	MC 25	TL				1.85	80	576	88	586	2.3	170
17	504610	100/80-17	52S	MC 25	TL				2.5	101	592	111	604	2.3	180
17	504274	130/70-17	62S	MC 25	TL				3.5	129	614	142	626	2.3	180
<b>H-17</b>															
17	23394	130/80-17	65H	H-17	TL	[R]			3	129	640	142	654	2.3	210
18	23382	130/80-17	63H	H-17	TL	[R]			3.5	129	639	142	651	2.3	210
<b>H-15</b>															
18	223421	4.00-18 (110/90-18)	64T	H-15	TT	[R]			2.5	109	655	117	685	3	190
<b>H-14</b>															
19	223433	90/90-19 (3.00-19)	52T	H-14	TT	[F]			2.15	90	645	99	657	3	190
<b>H-11</b>															
16	223107	130/90-16	67T	H-11	TT	[R]			3	129	640	142	656	2.3	190
<b>MC 32</b>															
17	539947	100/80-17	52R	MC 32	TL				2.5	101	592	111	604	2.3	170
17	540005	130/70-17	62R	MC 32	TL				3.5	129	614	142	626	2.3	170
17	563425	100/80-17	52R	MC 32	TL		M+S with lamellas		2.5	101	592	111	604	2.3	170
17	563438	130/70-17	62R	MC 32	TL		M+S with lamellas		3.5	129	614	142	626	2.3	170

Inch	Order code	Tyre size	LL/SS	Tread pattern	Type (TT/TL)	F/R	Version	Strip colour	Rim (inch)	Tyre dimensions E.T.R.T.O. (mm)				Max. inflation (BAR)	Max speed (km/h)
										Design		Max. in service			
										Section width	Overall diameter	Overall width	Overall diameter		
<b>MC 7</b>															
15	81593	130/90-15	66R	MC 7	TL				3	129	615	142	631	2.3	170
15	81873	140/90-15	70R	MC 7	TL				3.5	142	633	156	651	2.3	170
16	82983	110/90-16	59P	MC 7F	TT				2.5	109	604	120	616	2.3	150
16	68702	120/90-16	63P	MC 7	TL				2.75	119	622	131	638	2.3	150
18	69203	2.75-18	42P	MC 7	TT				1.85	75	613	86	625	2.3	150
18	80447	3.00-18 REINF.	52R	MC 7	TL				1.85	80	627	86	639	2.8	170
18	68696	3.25-18	52P	MC 7	TL				2.15	89	639	102	651	2.3	150
18	68697	3.50-18	56P	MC 7	TL				2.15	93	649	107	663	2.3	150
18	81998	90/90-18	51R	MC 7	TL/TT				2.15	90	619	99	631	2.3	170
<b>MC 26 CAPRI</b>															
14	511668	80/80-14 REINF.	53L	MC 26	TL/TT				1.85	80	484	88	492	3	120
14	511750	100/70-14 REINF.	53L	MC 26	TL/TT				2.5	100	498	110	507	2.8	120
14	85027	110/80-14 REINF.	59M	MC 26	TL/TT				2.5	109	532	120	544	2.8	130
16	81903	80/80-16 REINF.	46M	MC 26	TL/TT				1.85	80	534	88	542	2.8	130
16	83223	90/80-16 REINF.	52M	MC 26	TL/TT				2.15	90	550	99	560	2.8	130
<b>MC 18</b>															
17	81808	90/80-17	46P	MC 18	TL				2.15	90	576	99	586	2.3	150
17	81851	110/80-17	57P	MC 18	TL				2.5	109	608	120	620	2.3	150
<b>MOTORCYCLE CLASSIC TYRES</b>															
<b>MC 9</b>															
16	68698	90/90-16	48P	MC 9	TL				2.15	90	568	99	580	2.3	150
<b>H-01</b>															
19	23130	2.75-19	43P	H-01	TT				1.85	75	639	81	651	2.3	150
19	23261	3.00-19	49P	H-01	TT				1.85	80	653	86	665	2.3	150
19	23281	3.25-19	54P	H-01	TT				2.15	89	665	96	677	2.3	150
<b>H-02</b>															
19	23211	2.50-19	41L	H-02	TT				1.5	64	619	70	631	2.3	120
19	23280	3.00-19	57P	H-02	TT				1.85	80	653	86	665	2.3	150
19	23292	3.50-19	63P	H-02	TT				2.15	93	675	100	689	2.3	150
19	23311	4.00-19 REINF.	71P	H-02	TT				2.5	108	697	117	711	2.8	150
19	23312	4.00-19 REINF.	71P	H-02	TT		SUPER SIDE		2.5	108	697	117	711	2.8	150
20	23320	3.00-20	64Q	H-02	TT				1.85	80	672	86	684	2.3	160
<b>H-03</b>															
18	23121	2.75-18 REINF.	48P	H-03	TT				1.85	75	613	81	625	2.8	150
18	23141	3.00-18 REINF.	52P	H-03	TT				1.85	80	627	86	639	2.8	150
18	23161	3.25-18 REINF.	59P	H-03	TT				2.15	89	639	96	651	2.8	150
18	23181	3.50-18 REINF.	62P	H-03	TT				2.15	93	649	100	663	2.8	150
<b>H-04</b>															
16	23025	2.50-16 REINF.	41L	H-04	TT				1.5	64	542	70	554	2.8	120
18	23171	3.25-18 REINF.	59P	H-04	TT				2.15	89	639	96	651	2.8	150
<b>H-05</b>															
16	23083	3.25-16 REINF.	55P	H-05	TT				2.15	89	588	96	600	2.8	150
<b>H-06</b>															
16	23035	2.75-16 REINF.	46P	H-06	TT				1.85	75	562	81	574	2.8	150
16	23103	3.50-16 REINF.	65S	H-06	TT				2.15	93	598	100	612	2.8	180
18	23123	2.75-18 REINF.	48P	H-06	TT				1.85	75	613	81	625	2.8	150
18	23173	3.25-18 REINF.	59P	H-06	TT				2.15	89	639	96	651	2.8	150
18	23183	3.50-18 REINF.	62P	H-06	TT				2.15	93	649	100	663	2.8	150
18	23511	4.00-18	64S	H-06	TT				2.5	108	671	111	649	2.3	180

# Technical information

Inch	Order code	Tyre size	LL/SS	Tread pattern	Type (TT/TL)	F/R	Version	Strip colour	Rim (inch)	Tyre dimensions E.T.R.T.O. (mm)				Max. inflation (BAR)	Max speed (km/h)
										Design		Max. in service			
										Section width	Overall diameter	Overall width	Overall diameter		
<b>MOTORCYCLE RACING TYRES</b>															
<b>MC 50 M-RACER</b>															
17	545670	100/80-17	52H	MC 50	TL		SOFT		2.5	101	592	111	604	2.3	210
17	568074	110/70-17	54H	MC 50	TL	[F]	SOFT		3	110	586	121	596	2.3	210
17	545675	130/70-17	62H	MC 50	TL		SOFT		3.5	129	614	142	626	2.3	210
17	568089	140/70-17	66H	MC 50	TL	[R]	SOFT		3.75	139	628	153	642	2.3	210
18	568052	100/90-18	56H	MC 50	TL	[F]	SOFT		2.5	101	637	111	649	2.3	210
18	568058	120/90-18	65H	MC 50	TL	[R]	SOFT		2.75	119	673	131	689	2.3	210
<b>MC 25 BOGART</b>															
17	543232	100/80-17	52S	MC 25	TL		SOFT		2.5	101	592	111	604	2.3	180
17	543274	130/70-17	62S	MC 25	TL		SOFT		3.5	129	614	142	626	2.3	180
<b>SLICK</b>															
17	554769	95/70-17	NHS	F001	TL		SUPER SOFT		2.5	94	575	/	/	2.3	210
17	554778	115/70-17	NHS	R001	TL		SUPER SOFT		3.5	115	602	/	/	2.3	210
<b>H-19</b>															
19	23435	140/80-19	71H	H-19	TT	[R]	HOBBY MOTARD		3.5	142	707	156	723	2.3	210
<b>MOTORCYCLE OFF-ROAD</b>															
<b>MOTOCROSS COMPETITION TYRES</b>															
<b>C-12</b>															
18	26328	110/90-18	61M	C-12	TT	[R]			2.5	109	655	136	679	2.3	130
18	26344	120/90-18	65M	C-12	TT	[R]			2.75	119	673	149	699	2.3	130
19	26630	100/90-19	57M	C-12	TT	[R]			2.5	101	663	216	685	2.3	130
19	26626	110/90-19	62M	C-12	TT	[R]			2.75	109	681	136	705	2.3	130
<b>C-15</b>															
21	26766	90/90-21	54R	C-15	TT	[F]			2.15	90	695	99	715	2.3	170
<b>C-18</b>															
18	26556	120/90-18	65R	C-18	TT	[R]			2.75	119	673	149	699	2.3	170
19	26640	100/90-19	57M	C-18	TT	[R]			2.5	101	663	216	685	2.3	130
19	26613	110/90-19	62M	C-18	TT	[R]			2.75	109	681	136	705	2.3	130
19	26518	120/80-19	63M	C-18	TT	[R]			2.75	119	675	149	699	2.3	130
<b>C-19</b>															
21	26730	80/100-21	51R	C-19	TT	[F]			1.85	80	693	88	713	2.3	170
21	26711	90/90-21	54R	C-19	TT	[F]			2.15	90	695	99	715	2.3	170
<b>C-21</b>															
21	26732	80/100-21	51R	C-21	TT	[F]			1.85	80	693	88	713	2.3	170
21	26655	90/90-21	54R	C-21	TT	[F]			2.15	90	695	99	715	2.3	170
<b>C-20</b>															
18	26312	100/100-18	59R	C-20	TT	[R]			2.5	101	657	126	681	2.3	170
18	26318	110/100-18	64R	C-20	TT	[R]			2.5	109	677	136	703	2.3	170
18	26500	120/90-18	65R	C-20	TT	[R]			2.75	119	673	149	699	2.3	170
19	26642	100/90-19	57M	C-20	TT	[R]			2.5	101	663	216	685	2.3	130
19	26612	110/90-19	62M	C-20	TT	[R]			2.75	109	681	136	705	2.3	130
19	26520	120/80-19	63M	C-20	TT	[R]			2.75	119	675	149	699	2.3	130
<b>C-24</b>															
19	26644	110/90-19	62M	C-24	TT	[R]			2.75	109	681	136	705	2.3	130
<b>C-25</b>															
21	26718	80/100-21	51M	C-25	TT	[F]			1.85	80	693	88	713	2.3	130
<b>C-26</b>															
19	26646	110/90-19	62M	C-26	TT	[R]			2.75	109	681	136	705	2.3	130
<b>C-27</b>															
21	26720	80/100-21	51M	C-27	TT	[F]			1.85	80	693	88	713	2.3	130
<b>C-28</b>															
19	26791	100/90-19	57M	C-28	TT				2.5	101	663	216	685	2.3	130
19	26793	110/90-19	62M	C-28	TT				2.75	109	681	136	705	2.3	130

Inch	Order code	Tyre size	LL/SS	Tread pattern	Type (TT/TL)	F/R	Version	Strip colour	Rim (inch)	Tyre dimensions E.T.R.T.O. (mm)				Max. inflation (BAR)	Max speed (km/h)
										Design		Max. in service			
										Section width	Overall diameter	Overall width	Overall diameter		
<b>C-29</b>															
21	26789	80/100-21	51M	C-29	TT				1.85	80	693	88	713	2.3	130
<b>C-30</b>															
19	26792	100/90-19	57M	C-30	TT				2.5	101	663	216	685	2.3	130
19	26794	110/90-19	62M	C-30	TT				2.75	109	681	136	705	2.3	130
<b>C-31</b>															
21	26790	80/100-21	51M	C-31	TT				1.85	80	693	88	713	2.3	130
<b>MOTOCROSS COUNTRY CROSS TYRES</b>															
<b>C-10</b>															
18	26338	120/90-18	65R	C-10	TT	[R]	COUNTRY CROSS		2.75	119	673	149	699	2.3	170
<b>C-18</b>															
18	26555	120/90-18	65R	C-18	TT	[R]	COUNTRY CROSS		2.75	119	673	149	699	2.3	170
<b>C-17</b>															
21	26705	90/90-21	54R	C-19	TT	[F]	DAKAR		2.15	90	695	99	715	2.3	170
<b>C-19</b>															
21	26709	90/90-21	54R	C-19	TT	[F]	SUPER		2.15	90	695	99	715	2.3	170
<b>C-21</b>															
21	26654	90/90-21	54R	C-21	TT	[F]	SUPER		2.15	90	695	99	715	2.3	170
<b>C-20</b>															
18	26502	120/90-18	65R	C-20	TT	[R]	COUNTRY CROSS		2.75	119	673	149	699	2.3	170
<b>C-23</b>															
21	26723	80/100-21	51R	C-23	TT	[F]	SUPER		1.85	80	693	88	713	2.3	170
<b>MOTOCROSS COUNTRY CROSS EXTREME TYRES</b>															
<b>C-18</b>															
18	26330	110/100-18	59R	C-18	TT	[R]	SUPER LIGHT		2.5	101	657	126	681	2.3	170
18	26557	120/90-18	65R	C-18	TT	[R]	SUPER LIGHT		2.75	119	673	149	699	2.3	170
19	26641	100/90-19	57M	C-18	TT	[R]	SUPER LIGHT		2.5	101	663	216	685	2.3	130
19	26614	110/90-19	62M	C-18	TT	[R]	SUPER LIGHT		2.75	109	681	136	705	2.3	130
<b>XT-754</b>															
18	28022	120/90-18	65M	XT 754	TT		SUPER LIGHT		2.75	119	673	149	699	2.3	130
<b>XT-454</b>															
18	28082	110/100-18	64M	XT 454	TT	[R]	SUPER SOFT EXTREME		2.5	101	657	126	681	2.3	130
<b>C-19</b>															
21	26710	90/90-21	54R	C-19	TT	[F]	SUPER LIGHT		2.15	90	695	99	715	2.3	170
<b>MOTOCROSS WINTER TYRES</b>															
<b>KID CROSS WINTER FRICTION</b>															
<b>C-19</b>															
12	26021	2.50-12	37M	C-19	TT	[F]	WIN FRIC		1.75	68	440	85	449	2.3	130
14	26042	60/100-14	30M	C-19	TT	[F]	WIN FRIC								
17	26165	70/100-17	40M	C-19	TT	[F]	WIN FRIC		1.6	69	572	86	588	2.3	130
19	26167	70/100-19	42M	C-19	TT	[F]	WIN FRIC		1.6	69	623	86	639	2.3	130
<b>C-20</b>															
14	26077	90/100-14	49M	C-20	TT	[R]	WIN FRIC		2.15	90	536	112	558	2.3	130
16	26094	90/100-16	51M	C-20	TT	[R]	WIN FRIC		2.15	90	586	113	608	2.3	130

# Technical information

Inch	Order code	Tyre size	LL/SS	Tread pattern	Type (TT/TL)	F/R	Version	Strip colour	Rim (inch)	Tyre dimensions E.T.R.T.O. (mm)				Max. inflation (BAR)	Max speed (km/h)
										Design		Max. in service			
										Section width	Overall diameter	Overall width	Overall diameter		
<b>MOTOCROSS WINTER FRICTION</b>															
<b>C-17</b>															
21	26656	80/100-21	51R	C-17	TT	[F]	WINT FRIC		1.85	90	695	99	715	2.3	170
21	26658	90/90-21	54R	C-17	TT	[F]	WINT FRIC		2.15	90	695	99	715	2.3	170
<b>C-16</b>															
18	26314	100/100-18	59M	C-16	TT	[R]	WINT FRIC		2.5	101	657	126	681	2.3	130
18	26316	110/100-18	64M	C-16	TT	[R]	WINT FRIC		2.5	109	677	136	703	2.3	130
19	26538	100/90-19	57M	C-16	TT	[R]	WINT FRIC		2.5	101	663	216	685	2.3	130
19	26540	110/90-19	62M	C-16	TT	[R]	WINT FRIC		2.75	109	681	136	705	2.3	130
19	26536	120/90-19	66N	C-16	TT	[R]	WINT FRIC		2.75	119	699	148	725	2.3	140
<b>XT-434</b>															
21	28076	80/100-21	51M	XT-434	TT		WINT FRIC		1.85	80	693	88	713	2.3	130
<b>XT-444</b>															
21	28305	3.00-21	51M	XT-444	TT		WIN FRIC		1.85	80	703	92	723	2.3	130
<b>XT-454</b>															
18	28081	110/100-18	64M	XT-454	TT		WIN FRIC		2.5	109	677	136	703	2.3	130
19	28055	110/90-19	62M	XT-454	TT		WIN FRIC		2.5	109	681	136	705	2.3	130
<b>XT-994</b>															
21	28393	80/100-21	51M	XT-994	TT		WIN FRIC		1.85	80	703	88	713	2.3	130
<b>MOTOCROSS WINTER FRICTION SPIKE</b>															
<b>XT-434</b>															
21	28257	80/100-21	51M	XT-434	TT		SPIKE		1.85	80	693	88	713	2.3	130
<b>XT-444</b>															
21	28256	3.00-21	51M	XT-444	TT		SPIKE		1.85	80	703	92	723	2.3	130
<b>XT-454</b>															
18	28254	110/100-18	64M	XT-454	TT		SPIKE		2.5	109	677	136	703	2.3	130
19	28255	110/90-19	62M	XT-454	TT		SPIKE		2.5	109	681	136	705	2.3	130
<b>MOTOSKIYÖRING</b>															
<b>C-10</b>															
18	26340	120/90-18	65M	C-10	TT	[R]	ICE SOFT		2.75	119	673	149	699	2.3	130
18	28004	120/100-18	68M	XT-946	TT		ICE SOFT		2.75	119	697	149	725	2.3	130
<b>C-12</b>															
18	26346	120/90-18	65M	C-12	TT		ICE SOFT		2.75	119	673	149	699	2.3	130
19	26476	120/90-19	66N	C-12	TT	[R]	ICE SOFT		2.75	119	699	148	725	2.3	140
<b>C-29</b>															
21	26795	80/100-21	51M	C-29	TT		ICE SOFT		1.85	90	695	99	715	2.3	130
<b>C-30</b>															
19	26796	110/90-19	62M	C-30	TT		ICE SOFT		2.75	109	681	136	705	2.3	130
<b>XT-946</b>															
18	28004	120/100-18	68M	XT-946	TT		ICE SOFT		2.75	119	697	149	725	2.3	130
19	28010	120/90-19	64M	XT-946	TT		ICE SOFT		2.75	119	699	149	725	2.3	130
<b>MOTOCROSS ICE</b>															
<b>C-22</b>															
18	26332	110/100-18	64L	C-22	TT		ICE CROSS		2.5	109	677	136	703	2.3	120
19	26638	110/90-19	62L	C-22	TT		ICE CROSS		2.75	109	681	136	705	2.3	120
<b>C-23</b>															
21	26724	80/100-21	51N	C-23	TT		ICE CROSS		1.85	80	693	88	713	2.3	140

Inch	Order code	Tyre size	LL/SS	Tread pattern	Type (TT/TL)	F/R	Version	Strip colour	Rim (inch)	Tyre dimensions E.T.R.T.O. (mm)				Max. inflation (BAR)	Max speed (km/h)
										Design		Max. in service			
										Section width	Overall diameter	Overall width	Overall diameter		
<b>KID CROSS TYRES</b>															
<b>C-12</b>															
10	26010	2.50-10	33J	C-12	TT				1.5	68	389	80	414	2.3	100
<b>C-19</b>															
12	26022	2.50-12	37M	C-19	TT	[F]			1.75	68	440	85	449	2.3	130
14	26043	60/100-14	30M	C-19	TT	[F]			1.4	60	476	75	490	2.3	130
17	26163	70/100-17	40M	C-19	TT	[F]			1.6	69	572	86	588	2.3	130
19	26617	70/100-19	42M	C-19	TT	[F]			1.6	69	623	86	639	2.3	130
<b>C-20</b>															
10	26028	2.75-10	37M	C-20	TT	[R]			1.85	72	399	90	416	2.3	130
12	26001	80/100-12	50M	C-20	TT	[R]			1.85	80	465	86	485	2.3	130
14	26075	90/100-14	49M	C-20	TT	[R]			2.15	90	536	112	558	2.3	130
16	26092	90/100-16	51M	C-20	TT	[R]			2.15	90	586	113	608	2.3	130
<b>TERRACROSS SX30</b>															
12	26787	80/100-12 MI	50M	SX30	TT				1.85	80	465	86	477	2.5	130
14	26786	60/100-14 MI	30M	SX30	TT				1.4	60	476	65	490	2.3	130
<b>PIT CROSS TYRES</b>															
<b>C-20</b>															
12	26073	90/100-12	46M	C-20	TT		PIT CROSS		2.15	90	485	97	507	1.75	130
<b>C-21</b>															
14	26071	90/90-14	40M	C-21	TT		PIT CROSS		2.15	90	518	113	530	2.3	130
<b>MOTOCROSS TYRES</b>															
<b>C-01</b>															
16	26069	3.50-16	58P	C-01	TT				2.15	93	598	166	622	2.3	150
<b>C-02</b>															
17	26131	130/80-17	65N	C-02	TT	[R]			3	129	640	161	664	2.3	140
18	26458	110/100-18	71N	C-02	TT	[R]			2.5	101	657	126	681	2.3	140
18	26362	120/90-18	71N	C-02	TT	[R]			2.75	119	673	148	699	2.3	140
19	26566	120/90-19	66N	C-02	TT	[R]			2.75	119	699	148	725	2.3	140
<b>C-04</b>															
18	26301	110/90-18	61N	C-04	TT	[R]	LEISURE		2.5	109	655	136	679	2.3	140
18	26351	120/90-18	71N	C-04	TT	[R]	LEISURE		2.75	119	673	148	699	2.3	140
18	26357	130/90-18	69N	C-04	TT	[R]	LEISURE		3	129	691	161	719	2.3	140
<b>C-10</b>															
18	26336	120/90-18	65M	C-10	TT	[R]	SPEEDY CROC		2.75	119	673	149	699	2.3	130
19	26598	100/90-19	57M	C-10	TT	[R]	SPEEDY CROC		2.5	101	663	111	675	2.3	130
19	26608	110/90-19	62M	C-10	TT	[R]	SPEEDY CROC		2.75	109	681	136	705	2.3	130
19	26472	120/90-19	66N	C-10	TT	[R]	SPEEDY CROC		2.75	119	699	148	725	2.3	140
<b>C-11</b>															
21	26726	80/100-21	51R	C-11	TT	[F]	SPEEDY CROC		1.85	80	693	88	713	2.3	170
21	26755	90/90-21	54R	C-11	TT	[F]	SPEEDY CROC		2.15	80	693	99	715	2.3	170
<b>C-16</b>															
18	26452	100/100-18	59R	C-16	TT	[R]			2.5	101	657	126	681	2.3	170
18	26456	110/100-18	64R	C-16	TT	[R]			2.5	109	677	136	703	2.3	170
19	26562	100/90-19	57M	C-16	TT	[R]			2.5	101	663	216	685	2.3	130
19	26558	110/90-19	62M	C-16	TT	[R]			2.75	109	681	136	705	2.3	130
19	26554	120/90-19	66N	C-16	TT	[R]			2.75	119	699	148	725	2.3	140
<b>C-17</b>															
21	26708	90/90-21	54R	C-17	TT	[F]			2.15	90	695	99	715	2.3	170



# Technical information

Inch	Order code	Tyre size	LL/SS	Tread pattern	Type (TT/TL)	F/R	Version	Strip colour	Rim (inch)	Tyre dimensions E.T.R.T.O. (mm)				Max. inflation (BAR)	Max speed (km/h)
										Design		Max. in service			
										Section width	Overall diameter	Overall width	Overall diameter		
<b>XT-946</b>															
18	28025	120/100-18	68M	XT-946	TT				2.75	119	697	149	725	2.3	130
<b>XT-754</b>															
18	28023	120/90-18	63P	XT-754	TT				2.75	119	697	149	725	2.3	130
19	28063	110/90-19	62M	XT-754	TT				2.75	109	681	136	705	2.3	130
<b>XT-914</b>															
21	28079	80/100-21	51M	XT-914	TT				1.85	80	693	88	713	2.3	130
<b>ENDURO FIM TYRES</b>															
<b>EF-05</b>															
19	26522	120/80-19	63R	EF-05	TT	[R]	SUPER		2.75	119	675	148	699	2.3	170
<b>EF-06</b>															
21	26734	90/90-21	54R	EF-06	TT	[F]	SUPER		2.15	90	695	99	715	2.3	170
<b>EF-07</b>															
18	26408	110/80-18	58M	EF-07	TT	[R]	SUPER		2.5	109	633	136	655	2.3	130
18	26406	120/90-18	71R	EF-07	TT	[R]	SUPER		2.75	119	673	149	699	2.8	170
18	26276	130/90-18	69R	EF-07	TT	[R]	SUPER		2.75	129	691	161	719	2.3	170
18	26280	140/80-18	70R	EF-07	TT	[R]	SUPER		3.5	142	681	178	707	2.3	170
<b>EF-08</b>															
21	26746	90/90-21	54R	EF-08	TT	[F]	SUPER		2.15	90	695	99	715	2.3	170
<b>EXTREME ENDURO FIM TYRES</b>															
<b>EF-07</b>															
18	26402	120/90-18	71R	EF-07	TT	[R]	SUPER LIGHT		2.75	119	673	149	699	2.8	170
18	26278	130/90-18	69R	EF-07	TT	[R]	SUPER LIGHT		2.75	129	691	161	719	2.3	170
18	26274	140/80-18	70R	EF-07	TT	[R]	SUPER LIGHT		3.5	142	681	178	707	2.3	170
<b>C-19</b>															
21	26710	90/90-21	54R	C-19	TT	[F]	SUPER LIGHT		2.15	90	695	99	715	2.3	170
<b>EF-07</b>															
18	26277	130/90-18	69M	EF-07	TT	[R]	SUPER SOFT		2.75	129	691	161	719	2.3	130
18	26273	140/80-18	70M	EF-07	TT	[R]	SUPER SOFT		3.5	142	681	179	707	2.3	130
<b>ENDURO TRAIL TYRES</b>															
<b>E-08</b>															
17	24151	120/90-17	64T	E-08	TL	[R]			2.5	109	659	120	681	2.9	190
17	24125	130/80-17	65T	E-08	TL	[R]			2.5	108	639	127	654	2.9	190
17	24152	140/80-17	69H	E-08	TL	[R]			2.5	101	663	111	685	2.9	210
17	24161	150/70-17	69H	E-08	TL	[R]			2.15	90	695	99	715	2.9	210
18	24450	4.10-18	60P	E-08	TT	[R]			4.25	151	642	166	668	2.9	150
18	24414	130/80-18 REINF.	72T	E-08	TL	[R]			3.5	142	656	156	682	2.9	190
19	24108	100/90-19	57H	E-08	TL	[F]			2.75	119	648	131	674	2.9	210
19	24109	110/80-19	59H	E-08	TL	[F]			3	129	640	142	664	2.9	210
21	24682	2.75-21	45P	E-08	TT	[F]			2.5	101	663	111	685	2.9	150
21	24642	90/90-21	54T	E-08	TL	[F]			2.5	108	639	127	654	2.9	190
<b>MC 30 INVADER</b>															
17	530398	120/90-17	64H	MC30	TL	[R]			2.75	119	648	131	664	2.3	210
17	530399	130/80-17	65H	MC30	TL	[R]			3	129	640	142	654	2.3	210
19	541842	100/90-19	57H	MC 30	TL	[F]			2.5	101	663	111	675	2.3	210
21	530397	90/90-21	54T	MC30	TL	[F]			2.15	90	695	99	707	2.3	180
<b>MC 24 INVADER</b>															
17	541663	120/90-17	64S	MC24	TL	[R]			2.75	119	648	131	664	2.3	180
17	541658	130/80-17	65S	MC24	TL	[R]			3	129	640	142	654	2.3	180
18	77138	120/80-18	62S	MC 24	TT	[R]			2.75	119	649	131	633	2.3	180
19	541843	100/90-19	57S	MC 24	TL	[F]			2.5	101	663	111	675	2.3	180
21	77123	90/90-21	54S	MC 24	TT	[F]			2.15	90	695	99	707	2.3	180

Inch	Order code	Tyre size	LL/SS	Tread pattern	Type (TT/TL)	F/R	Version	Strip colour	Rim (inch)	Tyre dimensions E.T.R.T.O. (mm)				Max. inflation (BAR)	Max speed (km/h)
										Design		Max. in service			
										Section width	Overall diameter	Overall width	Overall diameter		
<b>E-10</b>															
17	24160	140/80B17	69T	E-10	TL	[R]			4.25	151	642	166	668	2.9	190
17	24424	140/80 B17	69T	E-10	TL	[R]	DAKAR		4.25	151	642	166	668	2.9	190
17	24039	150/70B17	69TR	E-10	TL	[R]			3.5	142	656	156	682	2.9	190
17	24055	150/70B17	69T	E-10	TL	[R]	DAKAR		3.5	142	656	156	682	2.9	190
18	24423	140/80B18	70T	E-10	TL	[R]			4.25	151	642	166	668	2.9	190
18	24426	140/80B18	70T	E-10	TL	[R]	DAKAR		4.25	151	642	166	668	2.9	190
18	24162	150/70B18	70T	E-10	TL	[R]			4.25	151	642	166	668	2.9	190
18	24163	150/70 B18	70T	E-10	TL	[R]	DAKAR		4.25	151	642	166	668	2.9	190
19	24437	110/80B19	59T	E-10	TL	[F]			4.25	151	642	166	668	2.9	190
19	24443	110/80B19	59T	E-10	TL	[F]	DAKAR		4.25	151	642	166	668	2.9	190
21	24655	90/90B21	54T	E-10	TL	[F]			2.15	90	695	99	715	2.3	190
21	24656	90/90B21	54T	E-10	TL	[F]	DAKAR		2.15	90	695	99	715	2.3	190
<b>MC 23 ROCKRIDER</b>															
18	68711	110/80-18	58P	MC 23	TT	[R]			2.5	109	633	120	653	2.3	150
18	529505	120/90-18	65R	MC23	TL	[R]			2.75	119	673	131	689	2.3	170
18	529506	140/80-18	70R	MC23	TL	[R]			3.5	142	681	156	697	2.3	170
21	68703	80/90-21	48P	MC 23	TT	[F]			1.85	80	677	88	695	2.3	150
21	529489	90/90-21	54R	MC23	TL	[F]			2.15	90	695	99	707	2.3	170
<b>E-07</b>															
17	24130	120/90-17	64S	E-07	TL	[R]			3	129	640	142	664	2.9	180
17	24133	130/80-17	69T	E-07	TL	[R]			2.75	119	648	131	674	2.9	190
17	24406	140/80-17	69T	E-07	TL	[R]			4.25	151	642	166	668	2.9	190
17	24408	140/80-17	69T	E-07	TL	[R]	DAKAR		4.25	151	642	166	668	2.9	190
17	24049	150/70-17	69T	E-07	TL	[R]			3.5	142	656	156	682	2.9	190
17	24053	150/70-17	69T	E-07	TL	[R]	DAKAR		3.5	142	656	156	682	2.9	190
18	24401	120/80-18	62S	E-07	TL	[R]			2.75	119	649	131	671	2.9	180
18	24415	130/80-18 REINF	72T	E-07	TL	[R]	DAKAR		4.25	151	667	166	693	2.9	190
18	24427	140/80-18	70T	E-07	TL	[R]			3.5	142	681	156	707	2.9	190
18	24429	140/80-18	70T	E-07	TL	[R]	DAKAR		4.25	151	667	166	693	2.9	190
18	24404	150/70-18	70T	E-07	TL	[R]			3	129	665	142	689	2.9	190
18	24405	150/70-18	70T	E-07	TL	[R]	DAKAR		3.5	142	681	156	707	2.9	190
19	24547	100/90-19	57T	E-07	TL	[F]			2.5	109	659	120	681	2.9	190
19	24545	100/90-19	57T	E-07	TL	[F]	DAKAR		2.5	109	659	120	681	2.9	190
19	24439	110/80-19	59T	E-07	TL	[F]			2.5	101	663	111	685	2.9	190
19	24445	110/80-19	59T	E-07	TL	[F]	DAKAR		2.5	101	663	111	685	2.9	190
21	24636	90/90-21	54T	E-07	TL	[F]			2.15	90	695	99	715	2.9	190
21	24637	90/90-21	54T	E-07	TL	[F]	DAKAR		2.15	90	695	99	715	2.9	190
<b>E-09</b>															
17	24147	120/90-17	64R	E-09	TL	[R]			2.5	108	639	124	654	2.9	170
17	24131	120/90-17	64R	E-09	TL	[R]	DAKAR		4.25	151	642	166	668	2.9	170
17	24121	130/80-17	65R	E-09	TL	[R]			4.25	151	642	166	668	2.9	170
17	24112	130/80-17	65R	E-09	TL	[R]	DAKAR		3.5	142	656	156	682	2.9	170
17	24052	140/80-17	69R	E-09	TL	[R]			3	129	640	142	664	2.9	170
17	24145	140/80-17	69R	E-09	TL	[R]	DAKAR		3	129	640	142	664	2.9	170
17	24046	150/70-17	69R	E-09	TL	[R]			2.75	119	648	131	674	2.9	170
17	24048	150/70-17	69R	E-09	TL	[R]	DAKAR		3.5	119	648	131	674	2.9	170
18	24432	110/80-18	58P	E-09	TT	[F]			2.5	101	663	111	685	2.9	150
18	24460	4.10-18	60P	E-09	TT	[R]			2.15	90	695	99	715	2.9	150
18	24420	130/80-18 REINF	72R	E-09	TL	[R]			4.25	151	667	166	693	2.9	170
18	24397	130/80-18 RENE	72R	E-09	TL	[R]	DAKAR		4.25	151	667	166	693	2.9	170
18	24159	140/80-18	70R	E-09	TL	[R]			3	129	665	142	689	2.9	170
18	24176	140/80-18	70R	E-09	TL	[R]	DAKAR		3	129	665	142	689	2.9	170
18	24169	150/70-18	70R	E-09	TL	[R]			3.5	142	681	156	707	2.9	170
18	24172	150/70-18	70R	E-09	TL	[R]	DAKAR		3.5	142	681	156	707	2.9	170
19	24553	100/90-19	57R	E-09	TL	[F]			2.5	109	659	120	681	2.9	170
19	24555	100/90-19	57R	E-09	TL	[F]	DAKAR		2.15	90	695	99	715	2.9	170
19	24456	110/80-19	59R	E-09	TL	[F]			2.5	101	663	111	685	2.9	170
19	24457	110/80-19	59R	E-09	TL	[F]	DAKAR		2.5	109	659	120	681	2.9	170
21	24686	2.75-21	45P	E-09	TT	[F]			2.15	90	695	99	715	2.9	150
21	24648	80/90-21	48P	E-09	TT	[F]			2.15	90	695	99	715	2.9	150
21	24645	90/90-21	54R	E-09	TL	[R]			1.85	75	689	86	707	2.9	170
21	24644	90/90-21	54R	E-09	TL	[R]	DAKAR		1.85	677	677	88	695	2.9	170
<b>E-02</b>															
21	23325	3.00-21	54S	E-02	TT				1.85	80	703	92	723	2.3	180

# Technical information

58

Inch	Order code	Tyre size	LL/SS	Tread pattern	Type (TT/TL)	F/R	Version	Strip colour	Rim (inch)	Tyre dimensions E.T.R.T.O. (mm)				Max. inflation (BAR)	Max speed (km/h)
										Design		Max. in service			
										Section width	Overall diameter	Overall width	Overall diameter		
<b>E-03</b>															
18	23187	3.50-18	62R	E-03	TT				2.15	93	649	107	673	2.8	170
<b>E-06</b>															
16	26049	2.75-16	46P	E-06	TT				1.85	75	562	86	580	2.8	150
<b>E-05</b>															
19	24891	4.00-19	65M	E-05	TT				2.5	108	697	124	723	2.8	130
21	23324	3.00-21	54S	E-05	TT				1.85	80	703	92	723	2.3	180
<b>ET-01</b>															
18	24884	4.00-18	64M	ET-01	TL		ENDURO		2.5	108	671	124	697	2.3	130
<b>XT-644</b>															
21	28379	100/90-21 (3.50-21)	54M	XT-644	TT		ARMY		2.5	101	713	126	735	2.3	130
<b>TRIAL TYRES</b>															
<b>ET-01</b>															
18	24883	4.00-18	64M	ET-01	TL	[R]			2.5	108	671	124	697	2.3	130
21	24667	2.75-21	45M	ET-01	TL	[F]			1.85	75	689	86	707	2.3	130
<b>SPEEDWAY TYRES</b>															
<b>SW-02</b>															
23	24851	2.75-23	48P	SW-02	TT	[F]			1.85	75	740	86	758	2.3	150
<b>SW-03</b>															
22	24801	2.75-22	50P	SW-03	TT	[R]	Long Track		1.85	75	715	86	733	2.3	150
<b>SW-07</b>															
19	24532	3.75-19	61P	SW-07	TT	[R]			2.15	99	697	129	711	2.3	150
19	24544	3.75-19	61P	SW-07	TT	[R]	BRITISH LEAGUE		2.15	99	697	129	711	2.3	150
<b>SW-08</b>															
21	24696	3.00-21	57P	SW-08	TT		ICE SPEEDWAY		1.85	80	703	86	715	2.3	150
23	24854	2.50-23	48P	SW-08	TT		ICE SPEEDWAY		1.5	64	735	74	750	2.3	150
<b>SW-09</b>															
19	24533	3.75-19	61P	SW-09	TT	[R]			2.15	99	697	129	711	2.3	150
<b>SW-10</b>															
17	24100	3.00-17	50P	SW-10	TT	[R]			1.85	80	602	92	711	2.3	150
<b>SW-11</b>															
19	24796	2 1/4-19	30P	SW-11	TT	[F]			2.15	99	697	129	711	2.3	150
<b>FLAT TRACK TYRES</b>															
<b>H-18</b>															
19	23409	130/80-19 (27x7-19)	4PR	H-18	TT		FLAT TRACK		3	129	691	142	705	2.3	190
19	23415	130/80-19 (27x7-19)	4PR	H-18	TT		FLAT TRACK		3	129	691	142	705	2.3	210
19	23438	140/80-19 (27.5x7.5-19)	4PR	H-18	TT		FLAT TRACK		3.5	142	707	156	723	2.3	190
19	23442	140/80-19 (27.5x7.5-19)	4PR	H-18	TT		FLAT TRACK		3.5	142	707	156	723	2.3	210
19	23413	130/80-19 (27x7-19)	71H	H-18	TL		ROAD		3	129	691	142	705	2.3	210
19	23440	140/80-19 (27.5x7.5-19)	71H	H-18	TL		ROAD		3.5	142	707	156	723	2.3	210
<b>HOBBY MOTARD TYRES</b>															
<b>H-19</b>															
19	23435	140/80-19	71H	H-19	TT	[R]	HOBBY MOTARD		3.5	142	707	156	723	2.3	210
21	24698	3.00-21	57P	SW-08	TT		HOBBY MOTARD		1.85	80	703	86	715	2.3	150

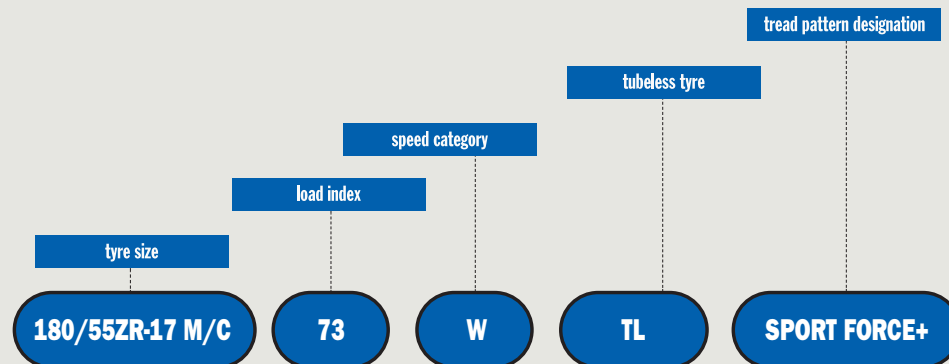
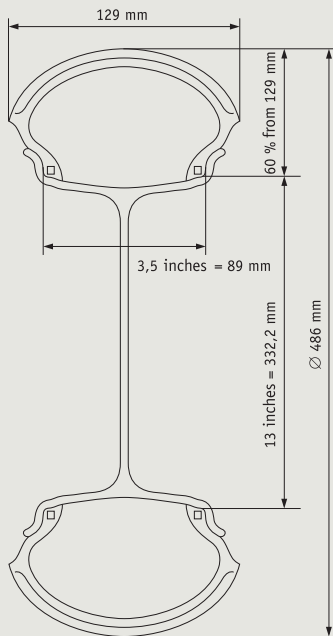
# Tyre designations

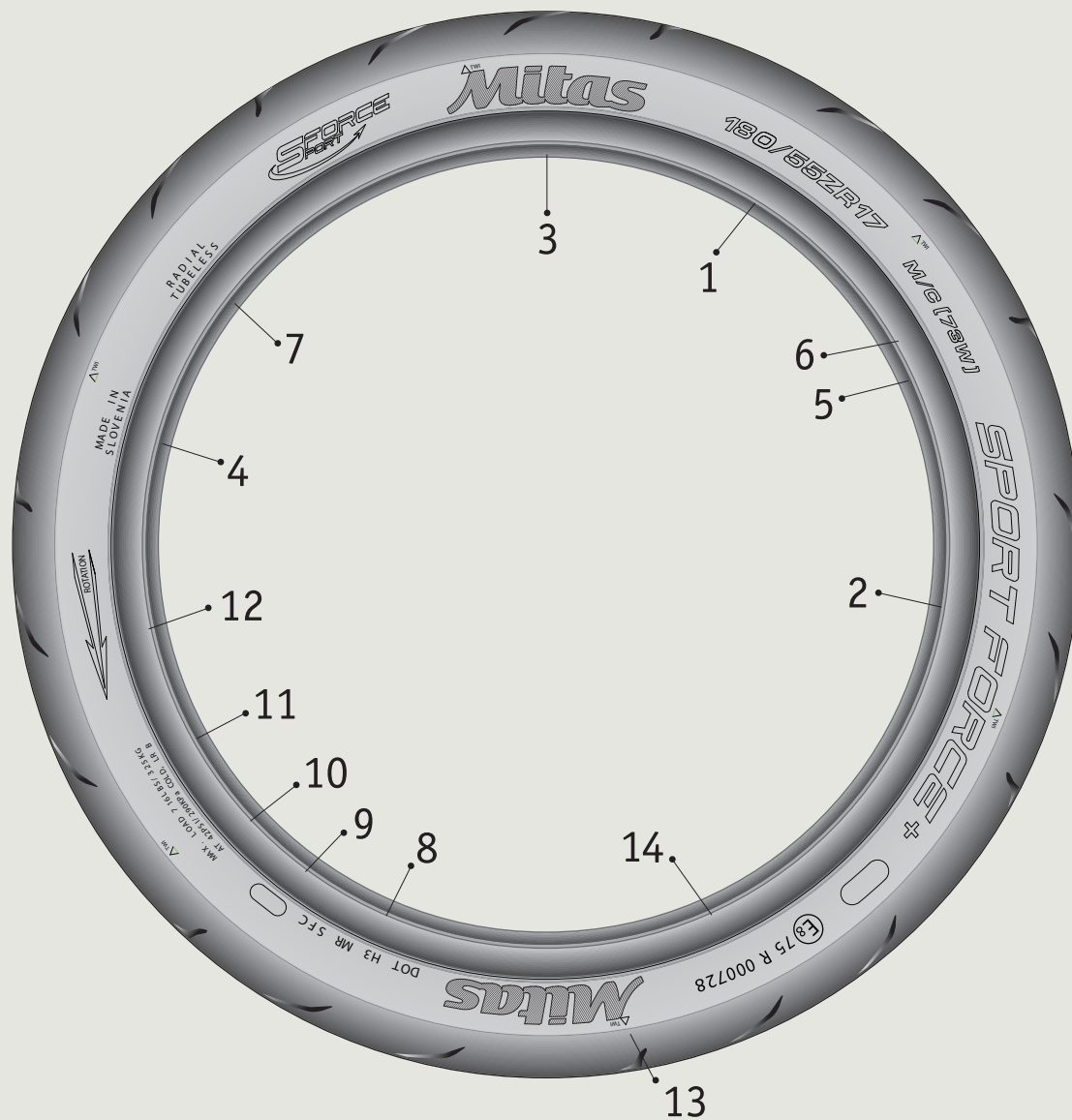
## SPEED CATEGORY

Speed category	km/h	Speed category	km/h
A1	5	K	110
A2	10	L	120
A3	15	M	130
A4	20	N	140
A5	25	P	150
A6	30	Q	160
A7	35	R	170
A8	40	S	180
B	50	T	190
C	60	U	200
D	65	H	210
E	70	V	240
F	80	(V)	>240
G	90	W	270
J	100	(W)	>270

## LOAD INDEX

U	kg	U	kg	U	kg
0	45.0	40	140.0	80	450.0
1	46.2	41	145.0	81	462.0
2	47.5	42	150.0	82	475.0
3	48.7	43	155.0	83	487.0
4	50.0	44	160.0	84	500.0
5	51.5	45	165.0	85	515.0
6	53.0	46	170.0	86	530.0
7	54.5	47	175.0	87	545.0
8	56.0	48	180.0	88	560.0
9	58.0	49	185.0	89	580.0
10	60.0	50	190.0	90	600.0
11	61.5	51	195.0	91	615.0
12	63.0	52	200.0	92	630.0
13	65.0	53	206.0	93	650.0
14	67.0	54	212.0	94	670.0
15	69.0	55	218.0	95	690.0
16	71.0	56	224.0	96	710.0
17	73.0	57	230.0	97	730.0
18	75.0	58	236.0	98	750.0
19	77.5	59	243.0	99	775.0
20	80.0	60	250.0	100	800.0
21	82.5	61	257.0	101	825.0
22	85.0	62	265.0	102	850.0
23	87.5	63	272.0	103	875.0
24	90.0	64	280.0	104	900.0
25	92.5	65	290.0	105	925.0
26	95.0	66	300.0	106	950.0
27	97.5	67	307.0	107	975.0
28	100.0	68	315.0	108	1000.0
29	103.0	69	325.0	109	1030.0
30	106.0	70	335.0	110	1060.0
31	109.0	71	345.0	111	1090.0
32	112.0	72	355.0	112	1120.0
33	115.0	73	365.0	113	1150.0
34	118.0	74	375.0	114	1180.0
35	121.0	75	387.0	115	1215.0
36	125.0	76	400.0	116	1250.0
37	128.0	77	412.0	117	1285.0
38	132.0	78	425.0	118	1320.0
39	136.0	79	437.0	119	1360.0





### TYRE DESIGNATION

1. Tyre size: 180/55 ZR17	9. Production date:
2. Tread pattern designation: Sport Force+	10. Load range: B
3. Manufacturer: Mitas	11. Max. load capacity: 716 lbs
4. Country of origin: Slovenia	Max. inflation pressure: AT 42 PSI COLD
5. Speed category: W (>270 km/h)	12. Direction of rotation: Rotation
6. Load index: 73 (365 kg)	13. Tread wear indicator: TWI
7. Tubeless / Tubetype: Tubeless	14. Homologation No.: E8 75 R 000728
8. DOT marking: DOT H3 MR SFC	

# Charts

## AMERICAN ALPHA INDICATION

	Inch
H	3.15
J	3.50
L	3.65
M	3.75
N	4.10
P	4.10
R	4.50
S	4.75
T	5.10
U	5.60
V	5.90

66

## ON ROAD TYRES

Front			Rear		
Metric	Inch	Alpha	Metric	Inch	Alpha
80/90	2.50/2.75	MH90	110/90	4.00/4.25	MP85
90/90	2.75/3.00	MJ90	120/90	4.50/4.75	MR90
100/90	3.25/3.50	MM90	130/80	5.00/5.10	
110/90	3.75/4.00	MN90	130/90	5.00/5.10	MT90
120/80	4.25/4.50		140/80	5.50/6.00	
120/90	4.25/4.50	MR980	140/90	5.50/6.00	MJ90
130/90	5.00/5.10	MT90	150/80	6.00/6.25	MV85
			150/90	6.00/6.25	MV85

## OFF ROAD TYRES

Front			Rear		
Metric	Metric	Inch	Metric	Metric	Inch
60/100	90/80	2.50/2.75	80/100	80/90	2.50/3.60
70/100	90/80	2.75/3.00	90/100	110/90	3.60/4.10
80/100	100/80	3.00/3.25	100/100	120/80	4.00/4.10
			110/100	130/80	4.00/4.50
			120/100	140/80	5.00/5.10

## OFF ROAD TYRE APPLICATION

Engine capacity ccm	Front	Rear	Engine capacity ccm	Front	Rear	Rear
50	2.50-12 (2.50-10)	2.50-10	125	80/100-21 or 90/90-21	100/100-18	100/90-19
60	3.00-12	2.50-14 (90/100-14)	250	80/100-21 or 90/90-21	110/100-18	110/90-19
80	2.75-17 (70/100-17)	4.10-14 (980/100-14)	500	80/100-21 or 90/90-21	120/100-18	120/90-19
100	70/100-19	90/100-16				

COMPARATIVE CHART FOR METRIC-DECIMAL SIZE DESCRIPTION

Tyre Size	Load index		Permitted rim	Tyre size			
	standard	reinforced		Alphanumeric	Metric		
					100	90	80
2.75-16	40	46	1.50-1.85	MH 90-16	80/100-16	80/90-16	90/80-16
3.00-16	40	48	1.60-2.15	MH 90-16	90/100-16	90/90-16	100/80-16
3.25-16	48	55	1.85-2.50	MJ 90 - 16	100/100-16	100/90-16	110/80-16
3.50-16	52	58	1.85-2.50	ML 90-16	100/100-16	100/90-16	110/80-16
4.60-16	58	59	1.85-3.00	MM 90-16	100/100-16	110/90-16	120/80-16
2.75-17	41	47	1.50-1.85	MH 90-17	80/100-17	80/90-17	90/80-17
3.00-17	41	50	1.60-2.15	MH 90-17	90/100-17	90/90-17	100/80-17
4.50-17	50	67	2.15-3.00	MR 90-17	110/100-17	130/90-17	140/80-17
4.60-17	50	62	1.85-3.00	MS 90-17	100/100-17	110/90-17	120/80-17
5.10-17	50	67	2.50-3.50	MT 90-17	110/100-17	130/90-17	140/80-17
2.75-18	42	48	1.50-1.85	MH 90-18	80/100-18	80/90-18	90/80-18
3.00-18	47	52	1.60-2.15	MH 90-18	90/100-18	90/90-18	100/80-18
3.25-18	52	59	1.85-2.50	MJ 90 - 18	100/100-18	100/90-18	110/80-18
3.50-18	56	62	1.85-2.50	ML 90-18	100/100-18	100/90-18	110/80-18
3.60-18	51	62	1.85-2.50	MH 90-18	100/100-18	90/90-18	100/80-18
4.00-18	64	69	2.15-3.00	MN 90-18	110/100-18	120/90-18	130/80-18
4.10-18	60	69	1.85-3.00	ML 90-18	100/100-18	100/90-18	110/80-18
4.25/85-18	64	69	1.85-3.00	MM 90-18	110/100-18	110/90-18	120/80-18
4.25-18	66	69	2.15-3.00	ML 90-18	110/100-18	120/90-18	130/80-18
4.60-18	63	69	1.85-3.00	MR 90-18	110/100-18	120/90-18	130/80-18
3.00-19	49	54	1.60-2.15	MH 90-19	90/100-19	90/90-19	100/80-19
3.25-19	54	54	1.85-2.50	MJ 90-19	100/100-19	100/90-19	110/80-19
3.50-19	54	57	1.85-2.50	ML 90-19	100/100-19	100/90-19	110/80-19
3.60-19	52	54	1.85-2.50	MH 90-19	100/100-19	90/90-19	100/80-19
2.75-21	45	54	1.50-1.85	MH 90-21	80/100-21	80/90-21	90/80-21
3.00-21	51	57	1.60-2.15	MH 90-21	90/100-21	90/90-21	100/80-21

# Inflation pressure

## RECOMMENDED INFLATION

Tyre use	Front			Rear		
	psi	bar	kPa	psi	bar	kPa
Motocross Hard Terrain	10-12	0.66-0.80	66-80	10-12	0.66-0.80	66-80
Motocross Intermediate	12-14	0.80-0.93	80-93	12-14	0.80-0.93	80-93
Motocross Soft Terrain	12-14	0.80-0.93	80-93	12-14	0.80-0.93	80-93
Desert/Enduro	14-18	0.93-1.20	93-120	14-18	0.93-1.20	93-120
Dual Sport - off road use	18-22	1.20-1.46	120-146	16-26	1.06-1.73	106-173

68

## PRESURE UNIT CONVERSION TABLE

kPa	bar	psi	kg/cm <sup>2</sup>
100	1.0	15	1.0
150	1.5	22	1.5
200	2.0	29	2.0
300	3.0	44	3.1
350	3.5	51	3.6
400	4.0	58	4.1
450	4.5	65	4.6
500	5.0	73	5.1

## INSTRUCTIONS FOR USE OF MITAS RACING TIRES (recommendations)

Tread patterns	MC 35		Note
dry surface	tyre pressure front	tyre pressure rear	When seeking the optimal pressure values, the rider's weight must be taken into account. It is recommendable to increase tyre pressure gradually by 0.2 bar until the ideal tyre pressure is reached.
warm weather, rough surface	MEDIUM 1.7 bar - 25 psi	MEDIUM 1.8 bar - 26 psi	
warm weather, smooth surface	SUPER SOFT & SOFT 1.7 bar - 36 psi	SUPER SOFT & SOFT 1.8 bar - 26 psi	
cold weather, rough surface	MEDIUM 2.5 bar - 36 psi	MEDIUM 2.7 bar - 39 psi	
cold weather, smooth surface	SUPER SOFT & SOFT 2.5 bar - 36 psi	SUPER SOFT & SOFT 2.7 bar - 39 psi	
Tread patterns	MC 20 / MC 36		
wet surface	tyre pressure front	tyre pressure rear	When seeking the optimal pressure values, the rider's weight must be taken into account. It is recommendable to increase tyre pressure gradually by 0.2 bar until the ideal tyre pressure is reached.
cold weather, wet surface	SUPER SOFT & SOFT 1.4 bar - 20 psi	SUPER SOFT & SOFT 1.6 bar - 23 psi	



# Tyre maintenance

Tyres are the only part of a motorcycle, which are in contact with the road. Safety in acceleration, braking, steering and cornering thus depend on relative small contact area between the tyre and road. This is a reason that tyres should be maintained in good condition through all lifetime. Tyres may only be replaced by the authorised personnel.

Changes in tyre size, type and construction should not be made without advice of a motorcycle or tyre manufacturer, while wrong tyre fitted can have a very strong negative effect on motorcycle handling, safety and wear. Always read the motorcycle manufacturers' handbook.

New tyres have very smooth surface. It is recommended to drive especially carefully for about 100 km to make tyre work properly. Drive reasonably. Excessive acceleration, braking and cornering shortens tyre life considerably.

## INFLATION PRESSURE

Inflation pressure is vitally important. Driving with tyres that do not have the correct inflation pressure is very dangerous. In under-inflated tyre an excessive heat build up occur and it can result in sudden tyre destruction. Tyre pressure determines tyre lifetime. The correct pressure ensures maximum mileages with satisfactory stability, comfort and road holding properties. The tyre is kept at the contour, at which it was designed to run. Insufficient air pressure or wrong tyre fitment accelerates tread wear and creates additional stress on the tyre carcass. It also increases the risk of accidental damage, adversely affects handling and increases rolling resistance. Excessively high pressure causes rapid wear in the centre of the tread. There is also greater danger of causing fracture and tread cutting. Keep the tyres inflated to the values shown in the motorcycle handbook. This correct inflation pressure must be maintained as a minimum. For fast driving on the road, the tyre pressure should be increased by 0.2 bars; for driving with a lot of baggage the inflation pressure in rear tyre should be increased by 0.2 bars.

Inflation pressure has to be checked at least once a week with an accurate tyre pressure gauge when the tyre is cold and always before long journeys. Pressure rises, when the tyre is hot and falls down, when the tyre is cold. Take this fact into consideration.

Loss of pressure may be due to valve core not seating properly or being worn out. Check valve core, tighten it for correct seating or replace it if necessary. Always fit valve cap into the valve (finger tight), because they keep dust from the valve as an extra seal. In the case of tubeless tyres, valves should be kept in good condition and replaced when a new tyre is fitted.

## TYRE AND RIM

At wire wheels, the right rim tapes (flaps) should be used. Rim tapes should be maintained in good condition, while a protruding spoke head can damage a tube and cause a puncture.

Tyre has to be aligned properly on the rim and it has to be checked regularly.

Replace tyre before legal 1mm (1.6 mm in Germany) remaining tread pattern depth is reached. Worn tyres are more susceptible to damage and road holding is reduced especially in the wet.

Damaged tyres are very dangerous. Replace damaged tyres immediately.

Stones or nails captured in the tread pattern must be removed. If left, they can penetrate through the carcass and cause a puncture and an accident.

The main advantage of tubeless tyre is its ability to withstand penetration by nails without a rapid loss of air. This also means that rider can be unaware of a puncture and if he uses the tyre for a long distance, the damage area will spread and could become serious. When the deflation is noticed, the tyre should be removed from the rim and checked before attempting any repairs. Repairs in the shoulder and sidewall area are not recommended. Repairs for tyres with speed symbol P and higher are not recommended.

The behaviour of the tyre is worse, if the tyre was in contact with oil or grease. The tyre has to be cleaned with a cloth damped with petrol.

Our tyres are made to fine tolerance, but for higher speeds it is important, that the tyre is balanced. Tubeless tyre-rim assemblies should be balanced with self-adhesive weights, the tube-type tyres on wire wheels should be balanced with spoke weights.

## TREAD WEAR

A summary of the various factors that can cause abnormal wear:

Under-inflation/over-loading can cause tread distortion and irregular wear. More seriously they may result in a sudden failure of the carcass due to excessive tyre flexing.

High-speed means rapid tread wear, especially due to harder acceleration and extra braking.

Temperature of tarmac surface – higher temperature causes faster wear

Rough tarmac surface causes higher abrasion and shorter lifetime of a tyre.

Mechanical irregularities such as distorted wheels, incorrect brake adjustment, bad dumpers, excessive tolerance in frame-wheel bearings can cause severe wear.

Unbalanced rotating weight (heavy spots on rim) can cause irregular tread wear.

# Legend

70

Acronym	Meaning /Definition	
[F]	Front	
[R]	Rear	
TT	Tube Type	
TL	Tubeless	
Reinforced	Increased load capacity by ETRTO ( The European Tyre and Rim Technical Organisation)	
SUPER	Design with special tread compound for Enduro racing	
SUPER LIGHT	Design with special tread compound and lightweight frame for Enduro extreme	
COUNTRY CROSS	Motocross tyre with Enduro racing tread compound suitable for Cross Country racing	
PIT CROSS	Tyre with increased load capacity suitable for PIT CROSS races	
DAKAR	Design with reinforced frame for extreme rally	
WINTER FRICTION	Special version for use in winter conditions and suitable for spiking	
SPIKE	WINTER FRICTION design with spikes	
ICE SOFT	Special version for motoskjöring	
HM	Hobby Motard - special version with extremely soft tread compound for "Hobby Motard" races	
M+S	Mud+Snow Tyre suitable for winter conditions or year round operation. Maximum designed tyre speed should be observed if fitted on a motorcycle with a higher designed tyre speed	
M/C	M/C-designation on motorcycle tyres with nominal diameter codes 13 and above to prevent misfitment with passenger car tyres or agricultural tyres	
PR	Ply rating	Identifies different versions(load capacity/inflation pressure) of tyres having the same size designation
TYPE	Tubeless or Tube Type	Tubeless (TL)- Tyres specially designed for fitment without an inner tube on appropriate rims. Tubeless tyres may be used with tube.
LI	Load index	A numerical code associated with the maximum load a tyre can carry at the speed indicated by its Speed Symbol under service conditions specified by the tyre manufacturer.
RIM	Recommended Rim a Types of Service	The rim which gives the best fitment of the tyre in all conditions. The rim which is used as the Measuring Rim

Acronym	Meaning /Definition	
NEW	New tyres dimensions	The dimensions of an unloaded new tyre mounted on its Measuring Rim at the recommended inflation pressure and allowed to stand for a minimum of 24 hours at normal room temperature before readjustment of the pressure back to its original level.
MAX.IN SERVICE	Maximum Tyres Dimensions in Service	Inflated tyre dimensions, including manufacturing tolerances and growth in service, to be used by vehicle manufacturers in designing tyre clearances. Distortions of the tyre due to load, lateral and centrifugal forces are not included.
SW	Section Width (design) mm	The linear distance between the outside of the sidewalls of an inflated tyre including manufacturing tolerances, tolerances for service growth, elevations due to labeling (markings), decorations, protective bands or ribs.
OD (NEW)	Overall Diameter (design)	The diameter of an inflated tyre at the outermost surface of the tread.
OD(MAX.)	Maximum Overall Diameter in Service (grown)	The maximum load (kg) a tyre is permitted to carry under specified operating conditions. In the case of twin-fitted driven wheels, a factor of 1.76 is applied to the load capacity of a single fitment tyre.
INFLATION	Inflation Pressure	The "cold" pressure (kPa) of the fluid at which the tyre is inflated.
ETRTO	The European Tyre and Rim Technical Organisation	Data in this Technical databook is relevant to ETRTO standards, where further data can be found.
Nominal Section Width		The section width of an inflated tyre mounted on its theoretical rim and indicated in the tyre size designation.
SOFT		For riding at mid temperatures and on mid rough surfaces.
MEDIUM		When the weather is warm and the riding surface rough.
SUPERSOFT		For rainy and cold weather when the riding surface is smooth